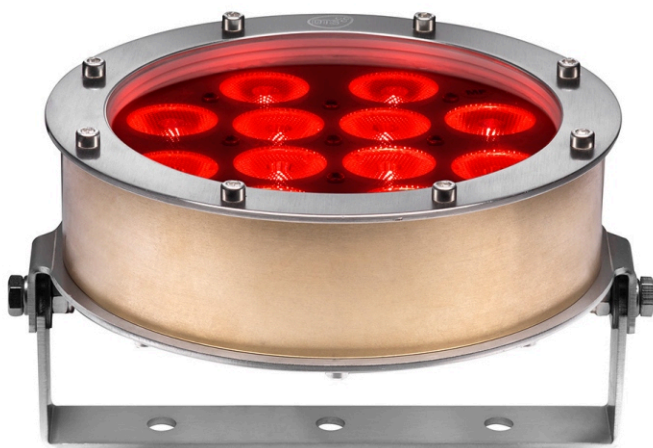


HELIOS BRONZE 12 FC



HELIOS BRONZE 12 FC



HELIOS R BRONZE 12 FC



Le informazioni contenute in questo documento sono state attentamente redatte e controllate. Tuttavia non è assunta alcuna responsabilità per eventuali inesattezze. Tutti i diritti sono riservati e questo documento non può essere copiato, fotocopiato, riprodotto per intero o in parte senza previo consenso scritto della D.T.S .

D.T.S si riserva il diritto di apportare senza preavviso cambiamenti e modifiche estetiche , funzionali o di design a ciascun proprio prodotto. D.T.S non assume alcuna responsabilità sull'uso o sull'applicazione dei prodotti o dei circuiti descritti.

The information contained in this publication has been carefully prepared and checked. However, no responsibility will be taken for any errors. All rights are reserved and this document cannot be copied, photocopied or reproduced, in part or completely, without prior written consent from D.T.S. D.T.S. reserves the right to make any aesthetic, functional or design modifications to any of its products without prior notice. D.T.S. assumes no responsibility for the use or application of the products or circuits described herein.

Les informations contenues dans le présent manuel ont été rédigées et contrôlées avec le plus grand soin. Nous déclinons toutefois toute responsabilité en cas d'éventuelles inexactitudes. Tous droits réservés. Ce document ne peut être copié, photocopié ou reproduit, dans sa totalité ou partiellement, sans le consentement préalable de D.T.S.

D.T.S. se réserve le droit d'apporter toutes modifications et améliorations esthétiques, fonctionnelles ou de design, sans préavis, à chacun de ses produits. D.T.S. décline toute responsabilité sur l'utilisation ou sur l'application des produits ou des circuits décrits.

Las informaciones contenidas en este documento han sido cuidadosamente redactadas y controladas. Con todo, no se asume ninguna responsabilidad por eventuales inexactitudes. Todos los derechos han sido reservados y este documento no puede ser copiado, fotocopiado o reproducido, total o parcialmente, sin previa autorización escrita de D.T.S.

D.T.S. se reserva el derecho a aportar sin previo aviso cambios y modificaciones de carácter estético, funcional o de diseño a cada producto suyo. D.T.S. no se asume responsabilidad de ningún tipo sobre la utilización o sobre la aplicación de los productos o de los circuitos descritos.

TECHNICAL SPECIFICATIONS

HELIOS BRONZE 12 FC

DTS Product codes:

03.LIB006E99FC08	HELIOS BRONZE 12 FC Ultra-Narrow lenses
03.LIB006E99FC10	HELIOS BRONZE 12 FC Narrow lenses
03.LIB006E99FC25	HELIOS BRONZE 12 FC Medium flood lenses
03.LIB006E99FC40	HELIOS BRONZE 12 FC Wide flood lenses

LED Technology

12 x OSTAR STAGE "N" FULL RGBW LEDs

Lumens: 4800 @ 700mA

LEDs lifespan: 50.000 hours (70% lumen output)

Optical group

4 lenses sets available: Ultra-Narrow, Narrow, Medium flood, Wide flood

Control

DMX 512 / RDM / Art-Net (DRIVENET 416, 832 or 1664 PSU is required)

IP protection degree

IP68 (max immersion depth: 2 m)

Construction

HELIOS BRONZE 12 FC is made on Bronze and 316 Stainless Steel.

The unit is fitted with an adjustable bracket.

Power supply

DRIVENET 416 or 832 PSU (Full-range 100-240Vac 50-60 Hz)

DRIVENET 1664 PSU (range 180-240Vac 50-60 Hz)

Power consumption

Max 120W @ 700mA

Connections

End-stripped 8 poles cable (90 cm length)

Operating temperature

-20° / 40°

Weight

6,4 Kg

Certifications

CE certification

ACCESSORIES

- DRIVENET 832 PSU (code 03.LA.177)
- DRIVENET 416 PSU (code 03.LA.196)
- DRIVENET 1664 PSU (code 03.LA.198)
- 8 poles underwater cable (code 0509C113)

TECHNICAL SPECIFICATIONS

HELIOS R BRONZE 12 FC

DTS Product codes:

03.LIS006E99FC08	HELIOS R BRONZE 12 FC Ultra-Narrow lenses
03.LIS006E99FC10	HELIOS R BRONZE 12 FC Narrow lenses
03.LIS006E99FC25	HELIOS R BRONZE 12 FC Medium flood lenses
03.LIS006E99FC40	HELIOS R BRONZE 12 FC Wide flood lenses

LED Technology

12 x OSTAR STAGE "N" FULL RGBW LEDs

Lumens: 4800 @ 700mA

LEDs lifespan: 50.000 hours (70% lumen output)

Optical group

4 lenses sets available: Ultra-Narrow, Narrow, Medium flood, Wide flood

Control

DMX 512 / RDM / Art-Net (DRIVENET 416, 832 or 1664 PSU is required)

IP protection degree

IP68 (max immersion depth: 2 m)

IK protection degree

IK09

Construction

HELIOS R BRONZE 12 FC is made on Bronze and 316 Stainless Steel.
The unit is fitted with a round flange for recessed installation.

Power supply

DRIVENET 416 or 832 PSU (Full-range 100-240Vac 50-60 Hz)

DRIVENET 1664 PSU (range 180-240Vac 50-60 Hz)

Power consumption

Max 120W @ 700mA

Connections

End-stripped 8 poles cable (90 cm length)

Operating temperature

-20° / 40°

Weight

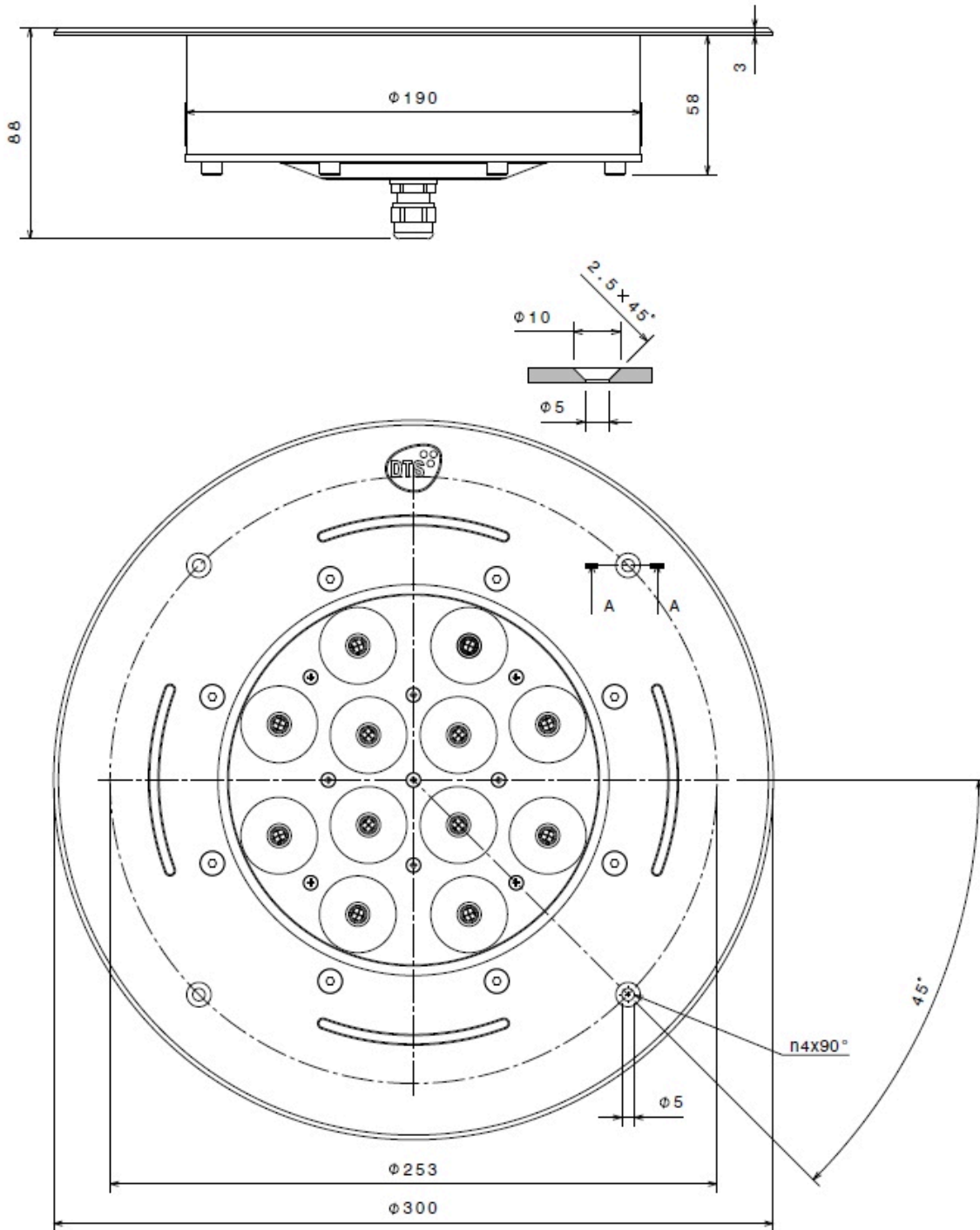
6,4 Kg

Certifications

CE certification

ACCESSORIES

- DRIVENET 832 PSU (code 03.LA.177)
- DRIVENET 416 PSU (code 03.LA.196)
- DRIVENET 1664 PSU (code 03.LA.198)
- 8 poles underwater cable (code 0509C113)
- Outercase IP68 (code 03.LA.059)

DIMENSIONS**HELIOS R BRONZE 12 FC**

IMPORTANT SAFETY INFORMATION

Fire prevention:

It is permissible to place the unit on normally flammable surfaces. Suitable for mounting on normally flammable materials surfaces greater than 200°C with some combustion time lag.
Minimum distance from the closest illuminable surface: 0,5 m.

Prevention of electric shock:

Class II LED product according to standard EN 60598-1.

Safety:

Risk group 2 product according to EN 62471. CAUTION. Do not look directly into the light output. May be harmful to the eyes and skin. Do not stare at the operating light source.

The unit is not for household use and must be installed by a qualified electrician or experienced person. LEDs are not replaceable.

The external surface of the unit may exceed 50°C; never handle the unit until at least 5 minutes have elapsed since the unit was turned off.

Never install the unit in an enclosed area lacking sufficient air flow.

The ambient temperature should not exceed 40°C and should not be lower than -20°.

Refer to local norms in case of underwater installation. Max immersion depth: 2 m.

Maintenance:

HELIOS BRONZE is made on Bronze and 316 Stainless Steel.

Bronze:

Bronze is a durable material with strong anti-corrosion properties.

Bronze can be easily scratched or marred with improper care and it oxidizes if not periodically maintained. Routine cleaning and polishing are required in order to maintain the brilliance of the surface.

Always wear clean gloves when handling the unit, direct contact with bare hands may cause a fast oxidation of the handled surface.

Do not expose the unit to air contaminants as heavy exhaust or solvent fumes.

Do not use cleaning or polishing products containing harsh chemicals (ammonia or chlorine) or abrasive chemicals.

Do not use any cleaning towels that are abrasive. Use only microfiber towels.

If unsure about the suitability of a product for cleaning bronze, contact DTS.

Maintenance period can vary depending on water quality and environment conditions.

316 Stainless Steel:

316 Stainless Steel is a durable material with strong anti-corrosion properties. With proper care and maintenance, it will maintain an optimal appearance over a long service life.

Exposure to high-saline environments, chlorides, abrasive chemicals, or carbon steel will diminish its anti-corrosion properties and increase the risk of damage.

Always wear clean gloves when handling the unit.

Do not weld, cut, drill or grind carbon steel near the unit before installation. Resulting particles will contaminate and rust stainless steel.

Do not clean stainless steel in direct sunlight or excessive temperatures.

Do not use cleaning products containing chlorides (i.e. hydrochloric acid) or other abrasive chemicals.

Do not use high-pressure cleaners.

If unsure about the suitability of a product for cleaning stainless steel, contact DTS.

Routine cleaning with soap and water is usually sufficient to maintain the corrosion resistance and appearance of 316 Stainless Steel. Use a soft nylon brush to remove any accumulated dirt.

Wash with mild soap or detergent, then rinse in clean water and wipe dry with a soft cloth.

If signs of corrosion appear, clean immediately. To avoid progression of damage, identify and address problems as early as possible.

Heavy damage includes structural compromises such as visible dents, cracks, breaks and rust that can undermine the integrity of a product. Heavily damaged products should be removed from service until a repair or replacement can be made. To prevent worsening of damage, any significant rust should be removed as soon as possible.

If any parts are broken or missing, contact DTS to determine the availability of replacements.

Replace any screw only by 316 stainless steel screws. To replace cable or gaskets, contact DTS.

Maintenance period can vary depending on water quality and environment conditions.

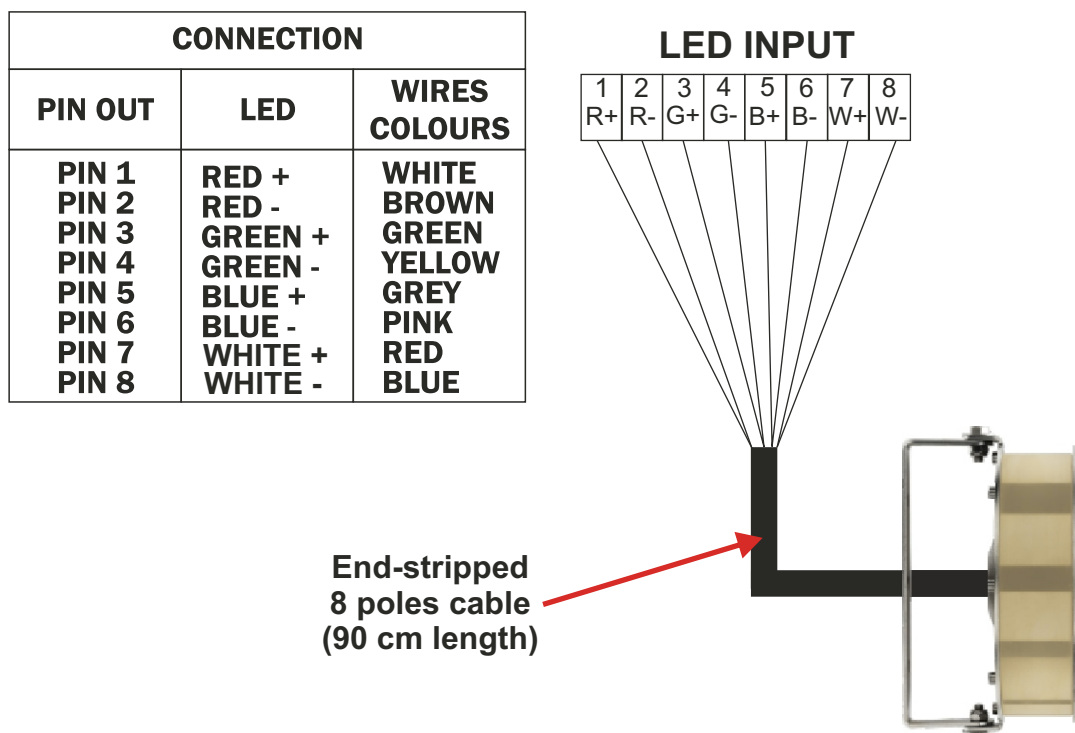
IMPORTANT SAFETY INFORMATION

Waste Electrical and Electronic Equipment (WEEE) directive:

The machine, accessories and packaging should be sorted for environmental-friendly recycling. For EC countries: according to the European Directive 2012/19/EC for Waste Electrical and Electronic Equipment and its implementation into national right, luminaires that are no longer usable must be collected separately and disposed of in an environmentally correct manner.

CONNECTIONS

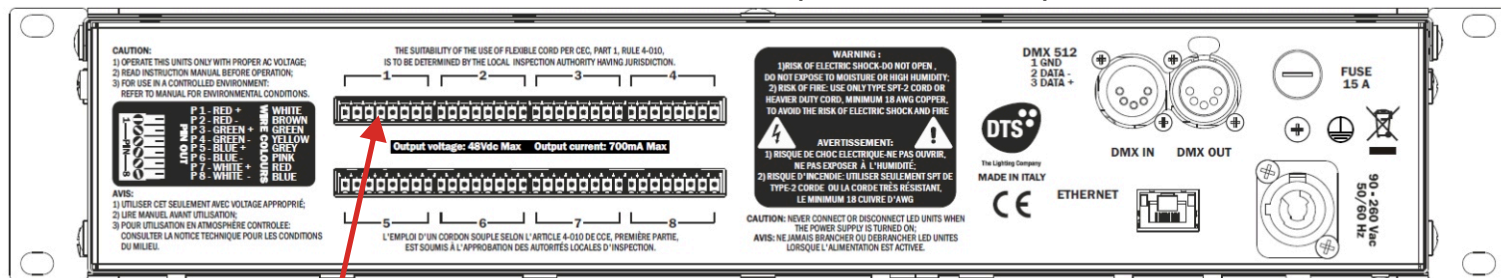
HELIOS BRONZE 12 FC and HELIOS R BRONZE 12 FC is provided with an end-stripped 8 poles cable (90 cm length).



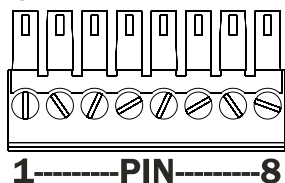
The maximum distance between the DRIVENET 416, 832 or 1664 PSU and the HELIOS BRONZE 12 FC should not exceed 100 meters.

CONNECTION DIAGRAM

DRIVENET 832 PSU (Code 03.LA.177)



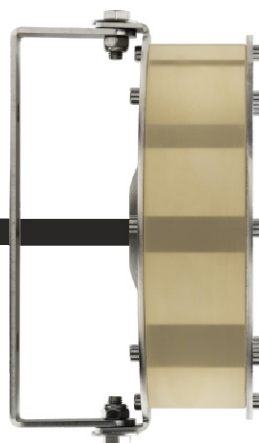
8 poles screw terminals



LEDs OUTPUT 1

1	2	3	4	5	6	7	8
R+	R-	G+	G-	B+	B-	W+	W-

CONNECTION		
PIN OUT	LED	WIRES COLOURS
PIN 1	RED +	WHITE
PIN 2	RED -	BROWN
PIN 3	GREEN +	GREEN
PIN 4	GREEN -	YELLOW
PIN 5	BLUE +	GREY
PIN 6	BLUE -	PINK
PIN 7	WHITE +	RED
PIN 8	WHITE -	BLUE



IMPORTANT:

The maximum number of HELIOS BRONZE 12 FC connectable to each output of the DRIVENET 832 PSU is 1 piece.

Never plug in a new unit when the PSU is turned on.

The maximum distance between the DRIVENET 832 PSU and the HELIOS BRONZE 12 FC should not exceed 100 meters.

NOTES

NOTES

PROUDLY
MADE IN ITALY



DTS products are designed
and manufactured at the
DTS plants in Italy



ISO 9001:2008

DTS quality system is certified
to the ISO 9001:2008 standard

D.T.S. Illuminazione s.r.l - Via Fagnano Selve 12-14
47843 Misano Adriatico (RN) Italy
Tel.: +39 0541 611131 Fax +39 0541 611111
Info@dts-lighting.it www.dts-lighting.it



05171284