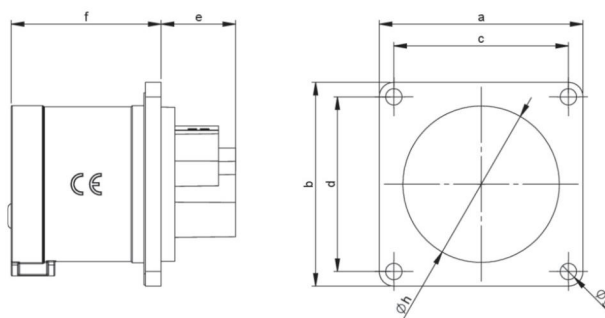


article#	<b>613-6f3x</b>
article description	<b>CEE-flanged plug 56x56 straight 16A 3p 6h IP44 black</b>
description long	CEE-flanged plug 56x56 straight 16A 3p 6h IP44 black housing material: PA6 rated current: 16A number of poles: 3 (2P+PE) clock-position: 6h rated voltage/frequency: 200-250V~ / 50+60Hz contacts: brass connection technology: screw terminals dimensions (flange/fixing center): 56x56 mm / 48x48 mm IP protection class: IP44
GTIN (EAN)	9003399055997
country of origin	AT
customs number	85366990
net weight	0.076 kg
packaging quantity	10
minimum order quantity	10

ETIM 9.0	EC001319
IEC-amperage	16 A
Voltage according to EN 60309-2	230 V (50+60 Hz) blue
Number of poles	3
Clock hour position	6 h
Identification colour	Blue
RAL-number	9005
Degree of protection (IP)	IP44
Connection system	Screwed terminal
Construction type	Built-up device plug
Angle of plug	Straight
Material	Plastic
Contact material	CuZn
Surface treatment contacts	Untreated

a	56 mm
b	56 mm
c	48 mm
d	48 mm
e	21 mm
f	42 mm
g	4,5 mm
h	43 mm
wire flexible	1-2,5 mm <sup>2</sup>
wire solid	1-4 mm <sup>2</sup>
contact screws	100 Ncm
dismantling length	50 mm
stripping length	10-12 mm
ambient temperature	-25 – 40 °C
temperature resistance	-25 – 80 °C







<https://www.pcelectric.at/shop/en/?func=detail&artnr=613-6f3x>

